

4-CHANNEL RF REMOTE CONTROL SWITCH MODEL: MKRF4

USER MANUAL

The product is designed to control the lights remotely, to turn ON/OFF every single channel separately or all of them together. It makes the illumination system easier to use. The transmitter and receiver have same code and communicate via radio frequency (RF). Suitable for incandescent, halogen, energy saving and LED lamps, working on 220 V AC.

Technical details:

Frequency: **433.92 MHz**

Working Voltage: **220-240 V AC/ 50-60 Hz**





Max. output power per channel: **1000 W – for incandescent and halogen lamps**
300 W – for energy saving and LED lamps

Operating range in open area – **up to 30 meters, 360°**.

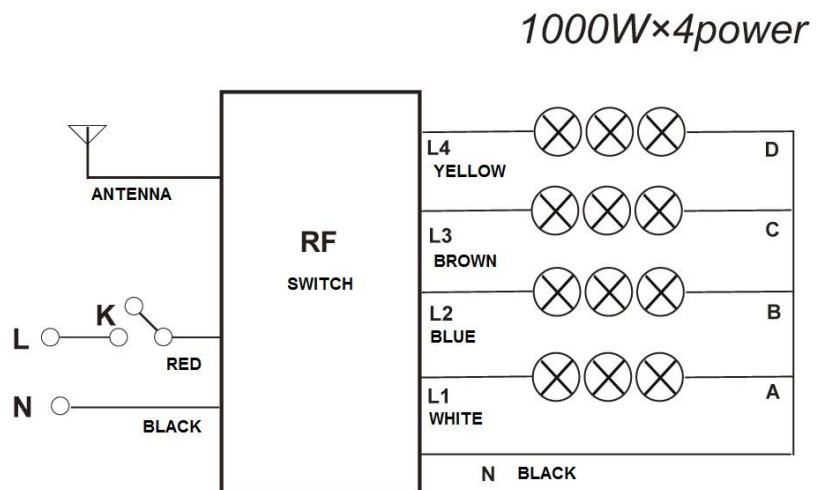
The remote control works with **one A23 12V alkaline battery, included.**

- Install the battery in the remote control.
- The wires should be connected correctly.
- Do not overload the switch.
- The warranty does not cover improper usage or overload working.
- Do not place the antenna near metal objects.
- Connect wires of lights with the switch according to the wiring diagram.
- Mounting must be performed in accordance with the following instructions from a person with appropriate authorization.
- Please, keep the instructions.

Operation

| Button | Function |
|--|-------------------|
| A  | ON/OFF for load A |
| B  | ON/OFF for load B |
| C  | ON/OFF for load C |
| D  | ON/OFF for load D |
| E ON | All ON |
| F OFF | All OFF |

Connection diagram for MKRF4:



The switch and the remote control are paired!

Pair and unpair the remote control (only from one model):

- **Pairing with new remote control (learning code)**
 1. Turn OFF and ON twice the power supply of the switch and leave it ON.
 2. Press and hold on the buttons ALL ON and ALL OFF at the same time till the light blinks 3 times.
 3. The remote is paired with the switch successfully.
- **Unpair the remote (erasing code):**
 1. Turn OFF and ON twice the power supply of the switch and leave it ON.
 2. Press and hold on the buttons ALL ON and ALL OFF at the same time till the light blinks 6 times.
 3. The remote is unpaired.
- **Unpair all remotes:**
 1. Turn OFF and ON twice the power supply of the switch and leave it ON.
 2. Press 10 times the button ALL ON till the light blinks 10 times.
 3. All remotes are unpaired.

One switch could be paired with 4 remote controls from same model. One remote can control countless switches. The pairing is possible only for items from one model.



Take care of the natural environment cleanliness

Please dispose all the package elements separately into the appropriate corresponding material containers. Please dispose all broken lighting fixtures separately in containers for out of usage electrical equipment. Before disposing the WEEE contact the importer/supplier or refer to the guidelines of your local environment protection organizations.